

STAINLESS STEEL FUNNEL

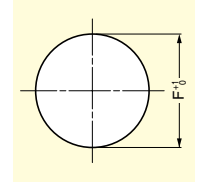
STAINLESS 304 STEEL

AE-DH

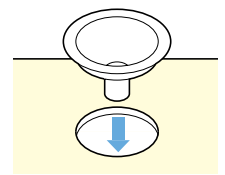


Sold Separately
 Hose:AE-DH4540-1(Below)
 Strainer:AE-DH020K-45(P.796)

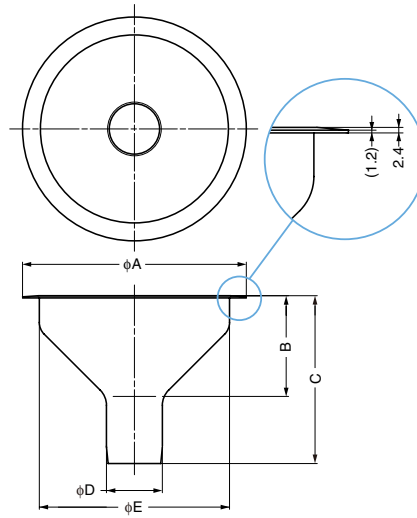
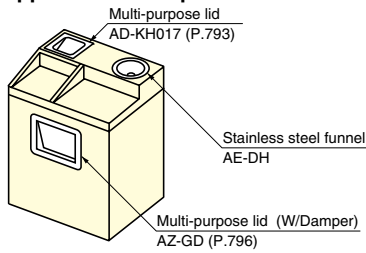
Cut Out Dimensions



Easy Installation



Application Example



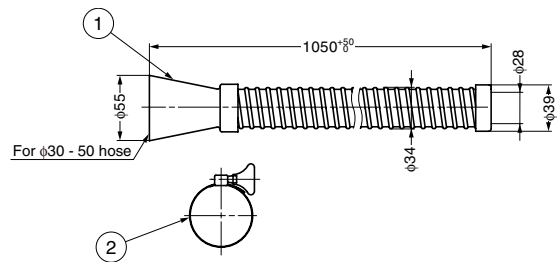
Item Code	Item Name	A	B	C	D	E	F	Material	Finish	Hose Diameter	Weight	Box	Carton
210-026-556	AE-DH015-MR	150	55	95	38	120	121	Stainless Steel (SUS304)	Mirror	φ38	270 g	1 pc	12 pcs
210-026-557	AE-DH015-HL	150	55	95	38	120	121	Stainless Steel (SUS304)	Satin	φ38	270 g	1 pc	12 pcs
210-022-106	AE-DH020-MR	200	90	150	50	170	171	Stainless Steel (SUS304)	Mirror	φ50	490 g	1 pc	12 pcs
210-023-509	AE-DH020-HL	200	90	150	50	170	171	Stainless Steel (SUS304)	Satin	φ50	490 g	1 pc	12 pcs

HOSE FOR AE-DH

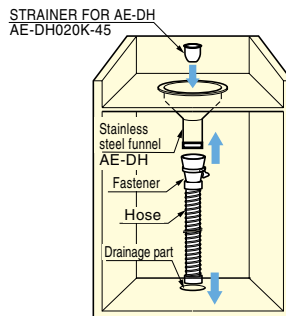
AE-DH4540-1



Remarks
 Operating temperature: 1°C - 60°C.



Application Example



No.	Part Name	Material	Finish/Colour
①	Hose	Polyvinyl Chloride Resin (PVC)	Grey
②	Fastener	Stainless Steel	Plain

Item Code	Item Name	Weight	Box	Carton
210-026-942	AE-DH4540-1	170 g	10 pcs	50 pcs